



WALTHAMBURY®



# M350PP

AUTOMATIC PRE-PACK UNIT

# M350PP

## AUTOMATIC PRE-PACK UNIT

The M350 Pre-Pack (or PP) unit is designed to meet the needs of the low volume pre-packing operation. The M350PP is available under and over scale or electronic weighing for average weight control between 0.5kg and 6.5kg. .

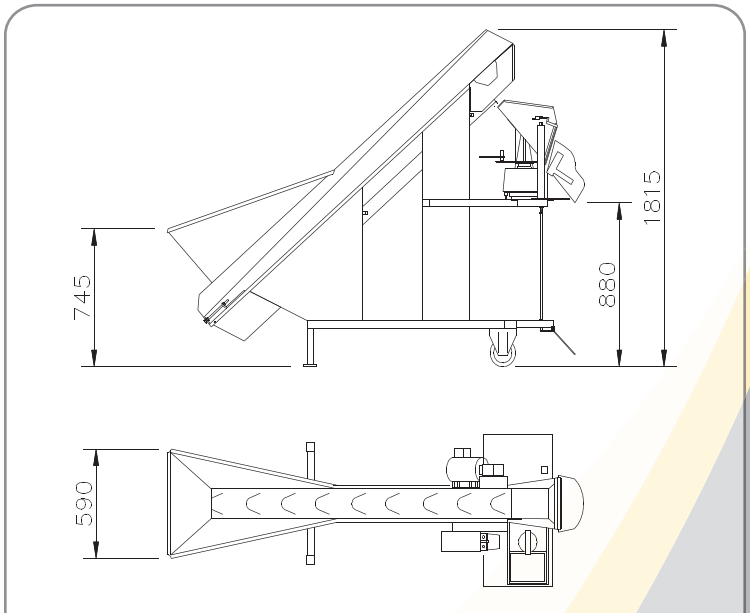
- Suitable for a wide range of agricultural and industrial products.
- Unit is fully mobile.
- Typical output of up to 350 packs per hour depending on product.
- Ideally suited for use with net clipper unit.
- Flared hopper to alleviate bridging
- Over and under scale mechanism.
- Unique front discharge weigh hopper system for fast cycling

### Optional Extras

- Variable speed control unit for belt feed.
- Sealed elevator system and low friction linings for sand and gravel.
- Essential parts in stainless steel for food or corrosive materials.
- Electronic produce counter.
- Net clipper unit.
- Electronic Weighing System

### After Sales Service

Fast on site service by factory trained engineers coupled with extensive stocks of competitively priced spare parts guarantees maximum productivity and protects the customer's investment.



### TECHNICAL SPECIFICATIONS

#### Throughput

Up to 350 pre pack bags per hour (depending on produce and bag size)

#### Weight Range

0.5kg - 6.5kg as standard. Other weights on request.

#### Air Requirements

A cool dry air supply, 5.5bar (80psi)

#### Electrical Requirement

220/240VAC single phase



#### Walthambury

New Walthambury House,  
Anglia Way, Braintree,  
Essex, CM7 3RG, UK.  
Tel: +44 (0)1376 322722  
Fax: +44 (0)1376 323277  
E-Mail: sales@morray.com  
www.walthambury.com